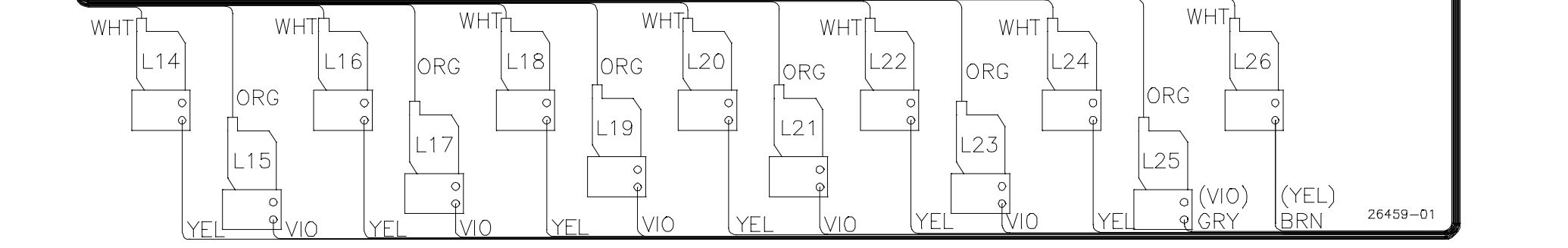
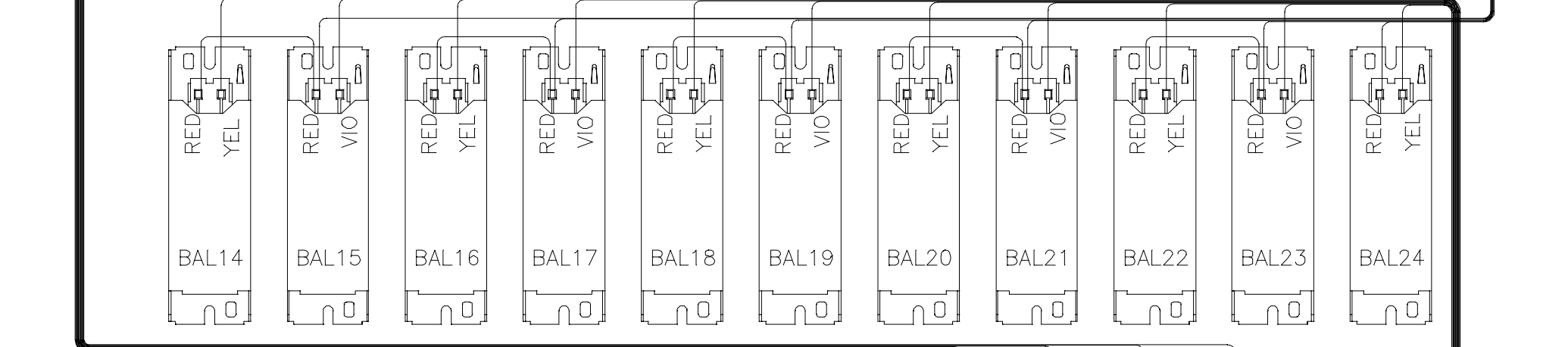
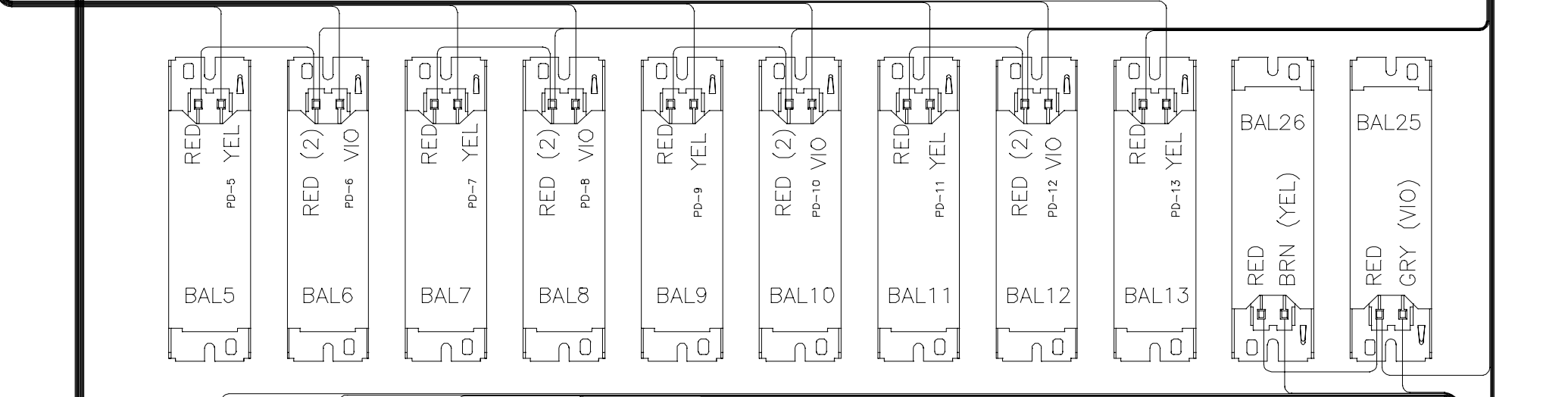
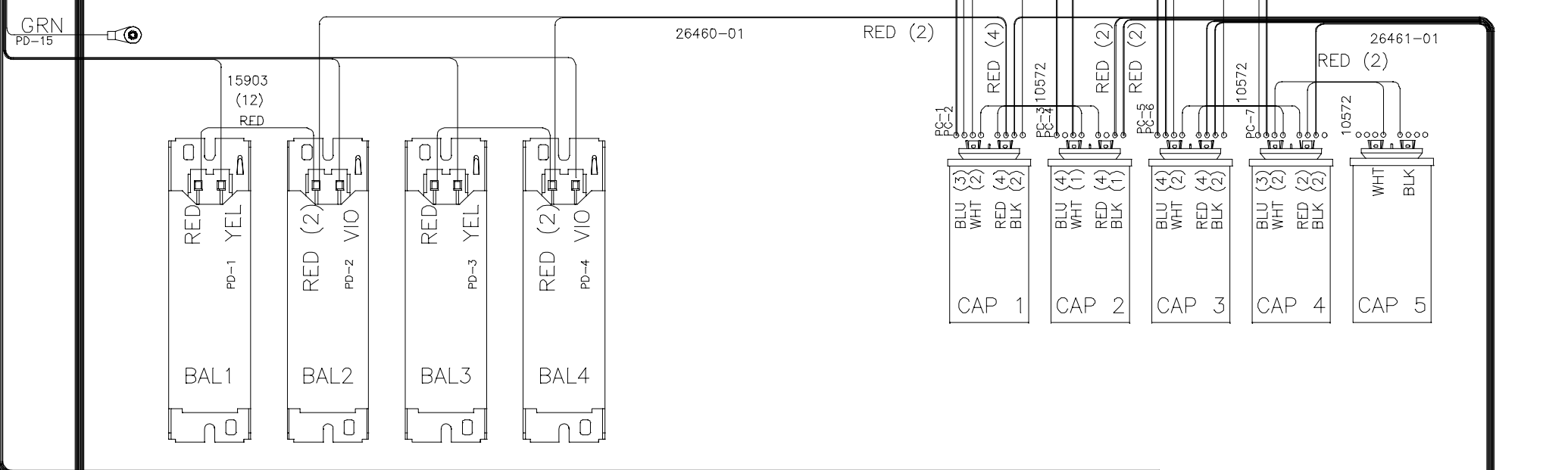
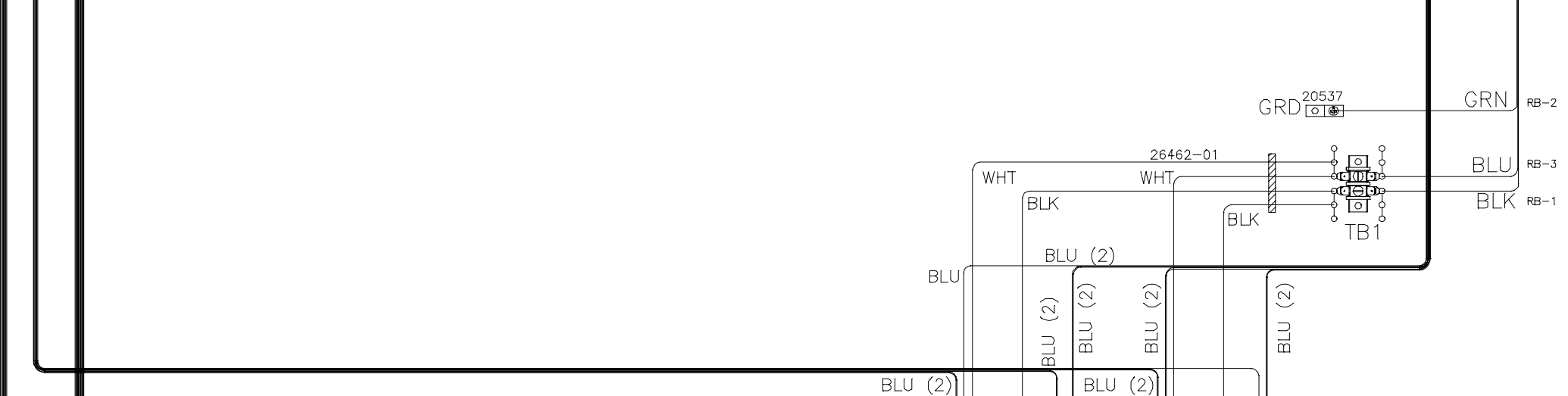
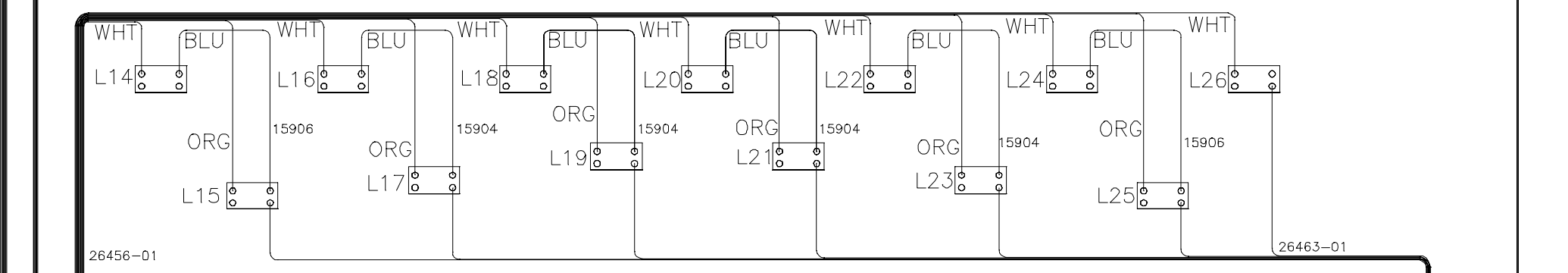
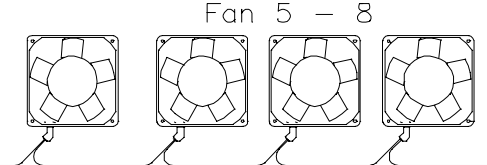
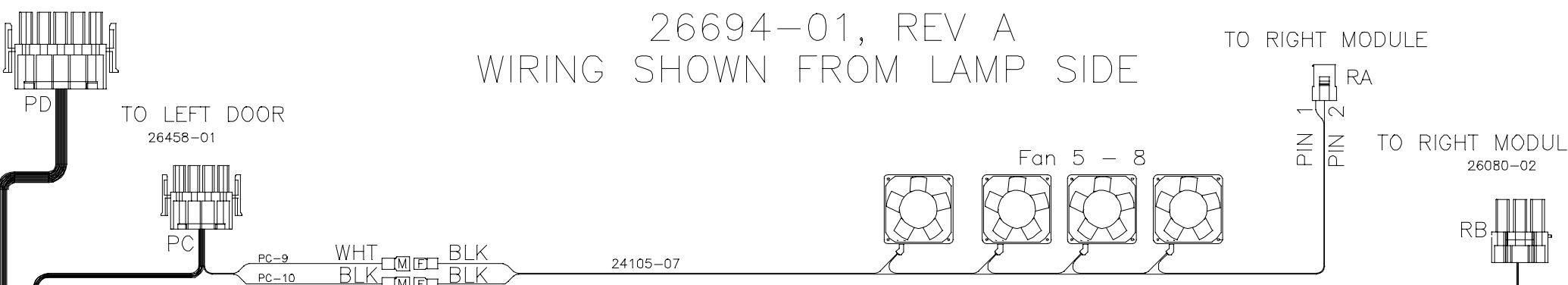
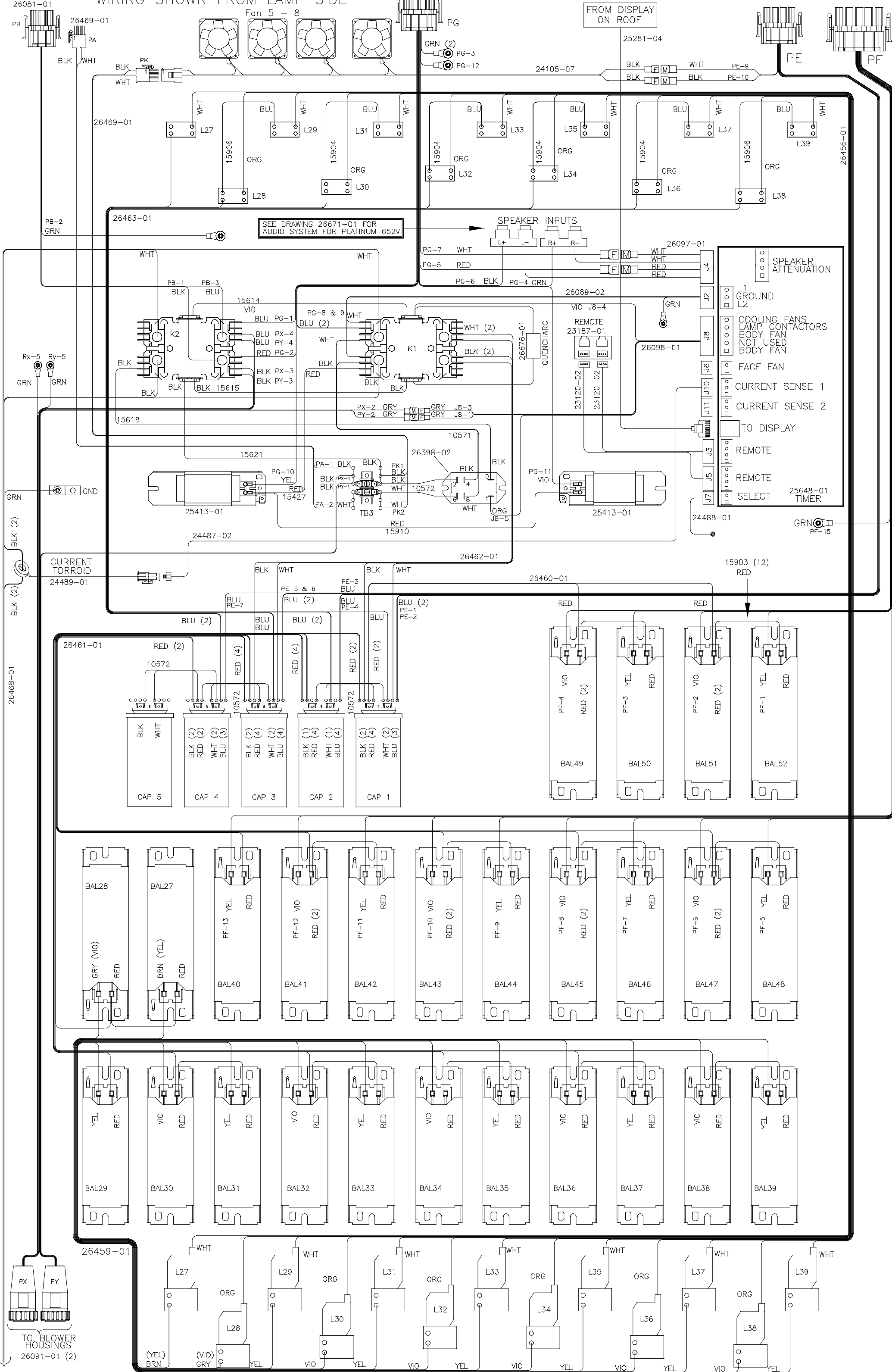


LEFT MODULE 652V 26694-01, REV A WIRING SHOWN FROM LAMP SIDE

TO RIGHT MODULE





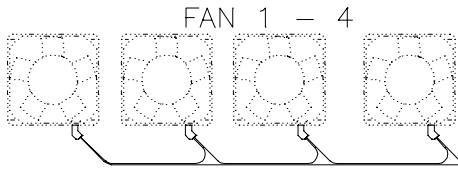
TO BLOWER HOUSINGS
26091-01 (2)

TO JUNCTION BOX

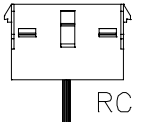
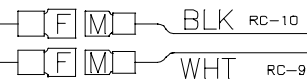
26695-01, REV A
 LEFT DOOR 652V
 WIRING SHOWN FROM LAMP SIDE

FROM LEFT MODULE
 LAMP RETURNS
 26471-01

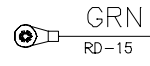
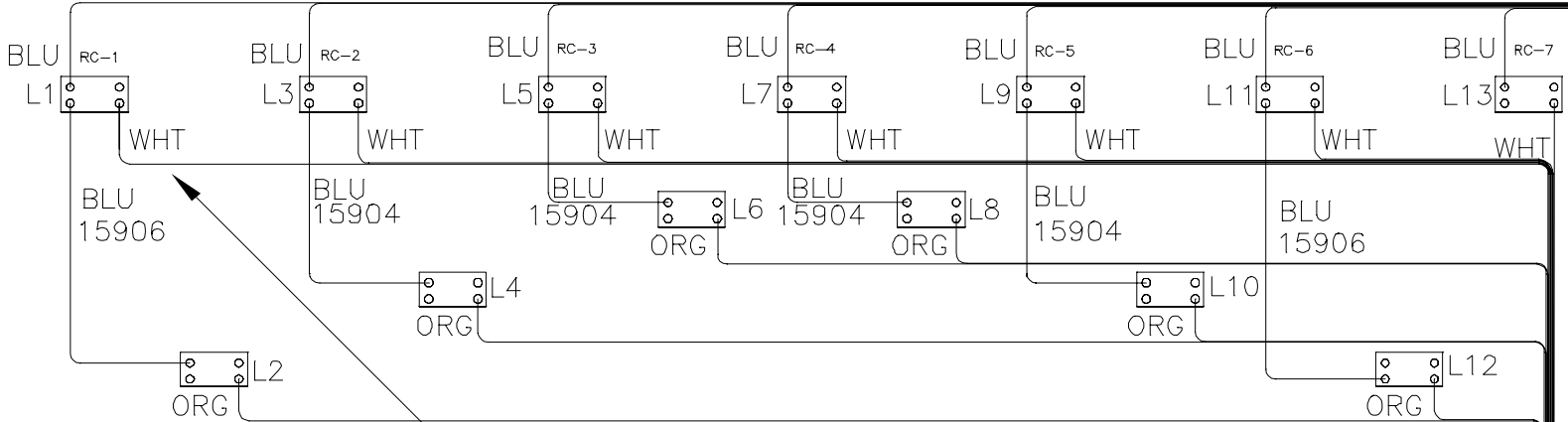
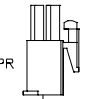
FROM LEFT MODULE
 LAMP FEEDS
 26470-01



24105-05



FROM RIGHT
 MODULE
 AUDIO
 26550-01

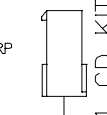
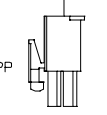


NOTE:
 1. LONG WHITE WIRE OF
 HARNESS GOES TO THE TOP

USED ON ELITE 756V MODEL ONLY
 FOR COMPLETE AUDIO DIAGRAM SEE DRAWING 26671-01

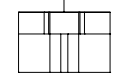
26470-01

26456-01

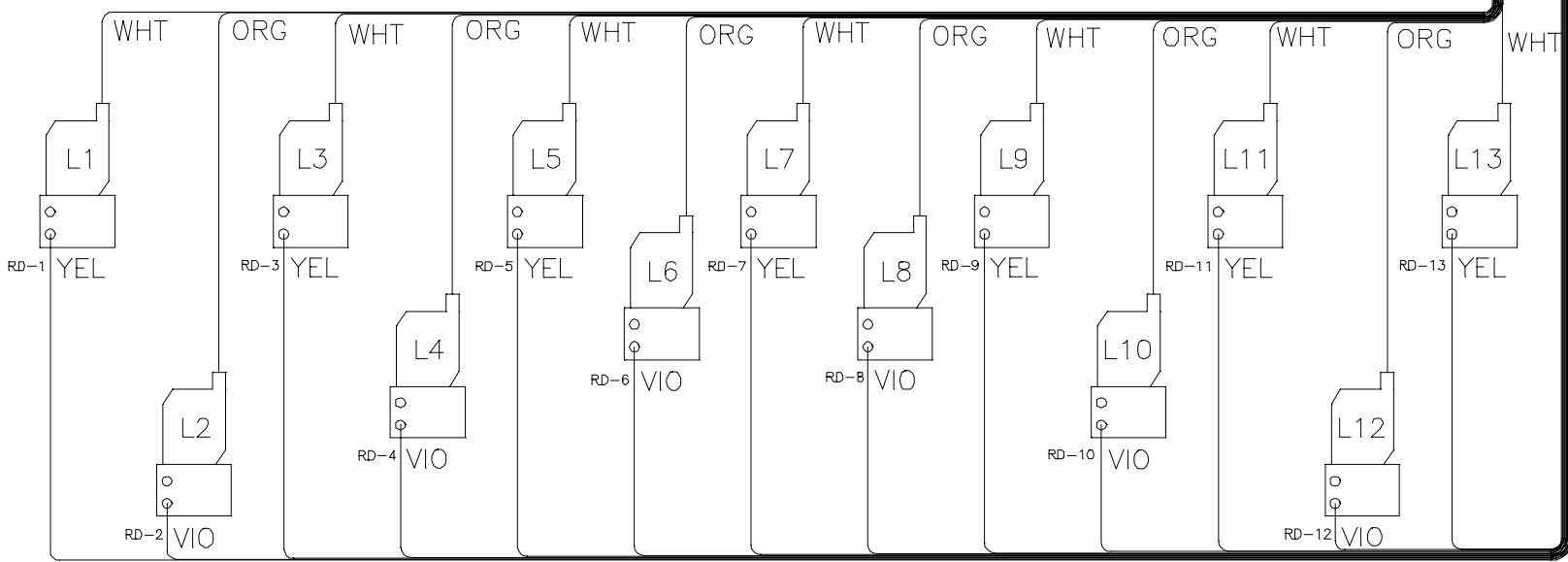


26543-01

PART OF 26554-01 CD KIT



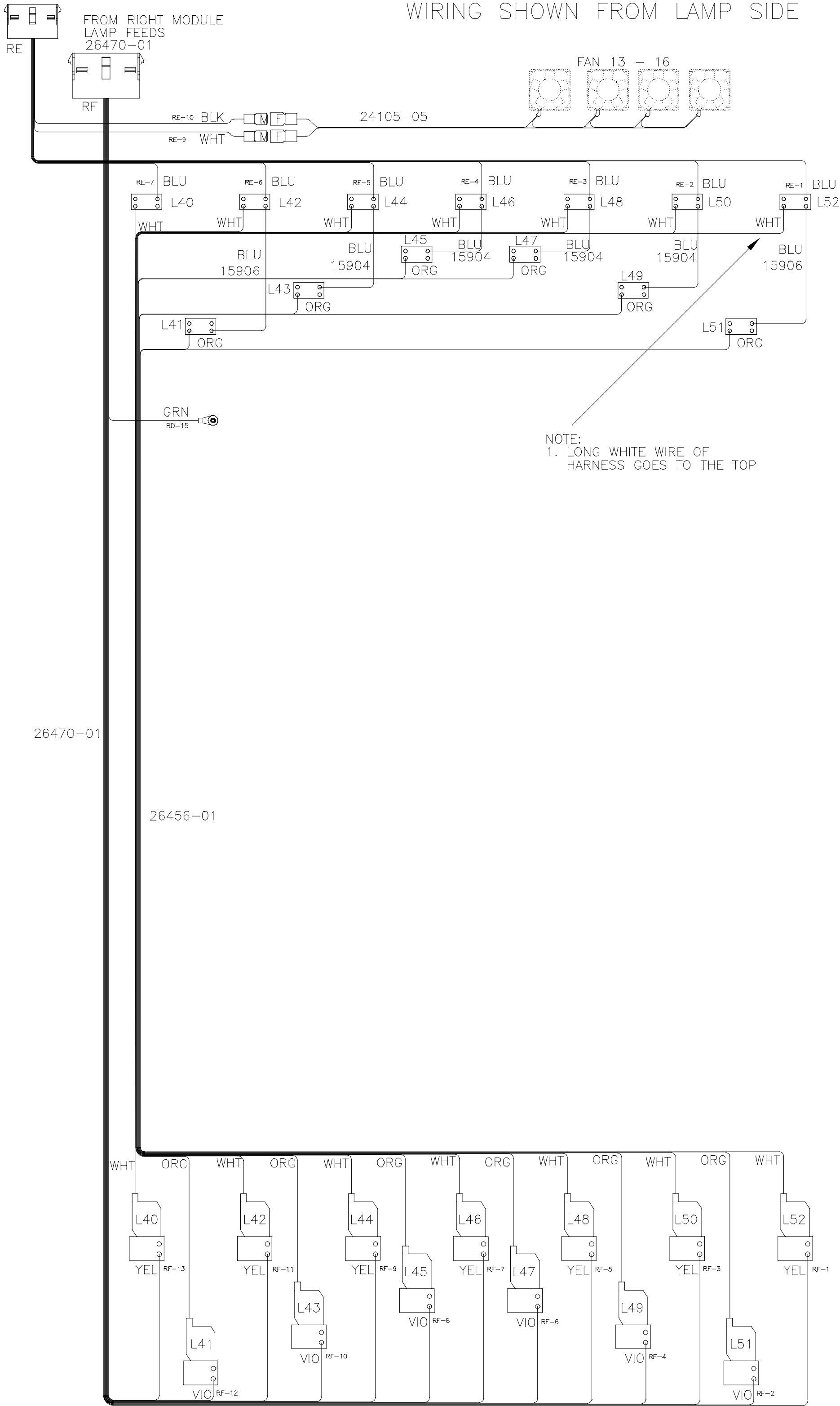
ANTENNA
 24118-01



FROM RIGHT MODULE
LAMP RETURNS
26471-01

26695-01, REV A
RIGHT DOOR 652V
WIRING SHOWN FROM LAMP SIDE

FROM RIGHT MODULE
LAMP FEEDS
26470-01



NOTE:
1. LONG WHITE WIRE OF
HARNESS GOES TO THE TOP

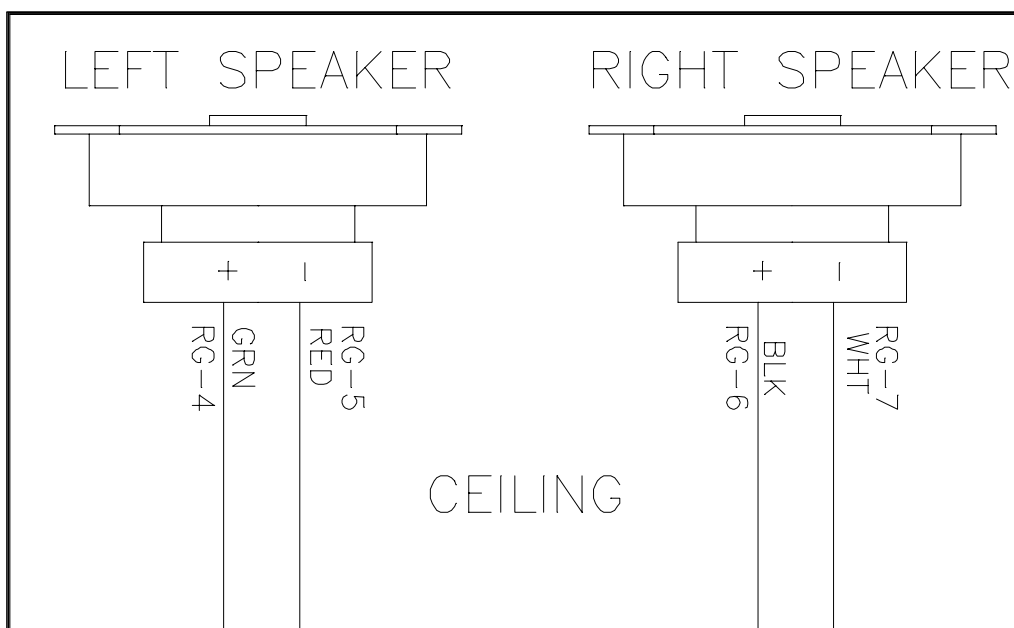
26470-01

26456-01

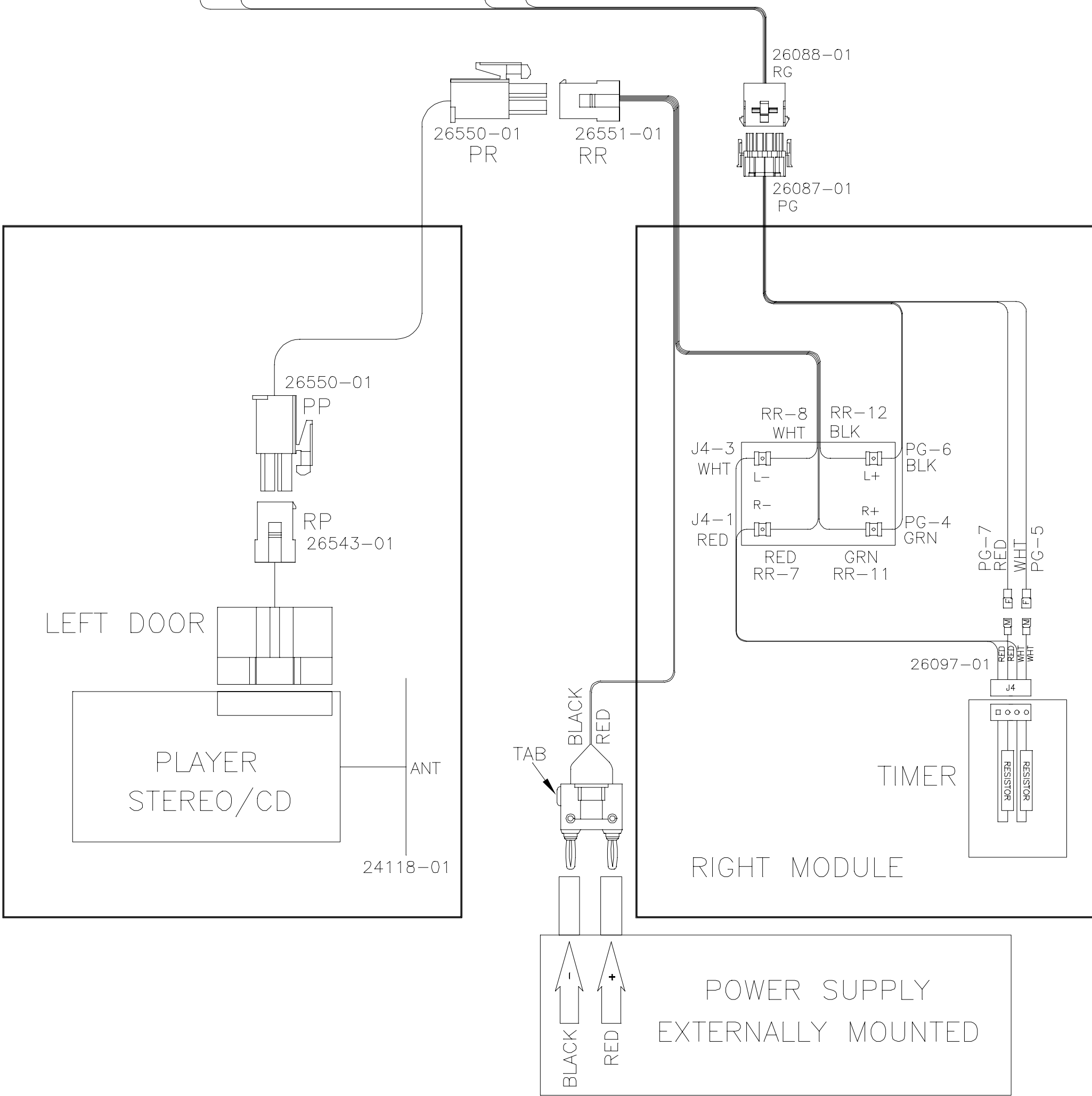
AUDIO SYSTEM FOR ELITE 652V MODELS

26696-01, REV A

WARNING: ALTERING THE DESIGN, TIMER SYSTEM, OR WIRING FROM THAT SHOWN HEREIN, WILL VOID THE WARRANTY, AND MAY RESULT IN A VIOLATION OF FEDERAL LAW.



| FUNCTION | RP | PP/PR/RR |
|---------------|-----------|----------|
| BATTERY - | BLK-1 | BLK-1 |
| BATTERY + | YEL-4 | YEL-4 |
| ACCESSORY | RED-4 | |
| SPKR L. REAR | GRN/BLK-5 | |
| SPKR L. REAR | GRN-9 | |
| SPKR R. REAR | VIO/BLK-6 | |
| SPKR R. REAR | VIO-10 | |
| SPKR R. FRONT | GRY/BLK-7 | RED-7 |
| SPKR R. FRONT | GRY-11 | GRN-11 |
| SPKR L. FRONT | WHT/BLK-8 | WHT-8 |
| SPKR L. FRONT | WHT-12 | BLK-12 |



WARNING: ALTERING THE DESIGN, TIMER SYSTEM, OR WIRING FROM THAT SHOWN HEREIN, WILL VOID THE WARRANTY, AND MAY RESULT IN A VIOLATION OF FEDERAL LAW.

INTERCONNECT DIAGRAM 652V
26696-01, REV A

